



EDT®101 **Pneumatic** **Derailment Detector**



EDT®101 activates an automatic emergency stop in case of derailment. Comprising an emergency brake valve, a mounted spring-mass valve and an indicator device, EDT®101 registers any increase in vertical acceleration and automatically releases the emergency brake by venting the main brake pipe. This highly secure system can be retrofitted easily to existing wagons and has demonstrated its value over years – around the world.

CUSTOMER BENEFITS

- Reduces damage caused by derailment
- Increases safety for passengers, goods and the environment
- Immediate train brake activation when a derailed axle is recognized
- Easily retrofitted to existing wagons
- Highly reliable
- Cannot be activated accidentally
- Independent system
- UIC-homologated

APPLICATIONS

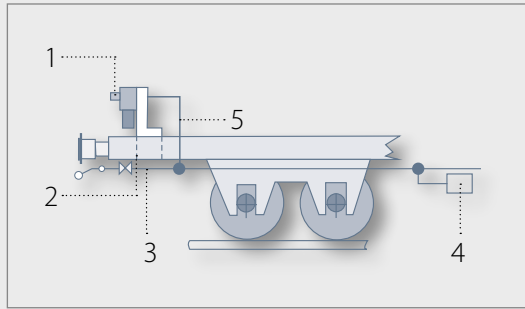
- Freight cars
- Transportation of hazardous goods

KNORR-BREMSE



INSTALLATION

- Two derailment detectors per vehicle
- Mounted at a strategic position on the chassis of the wagon
- Easily connected to the main brake pipe (using a branch flange)
- Mounted on a special bracket with integrated stopcock

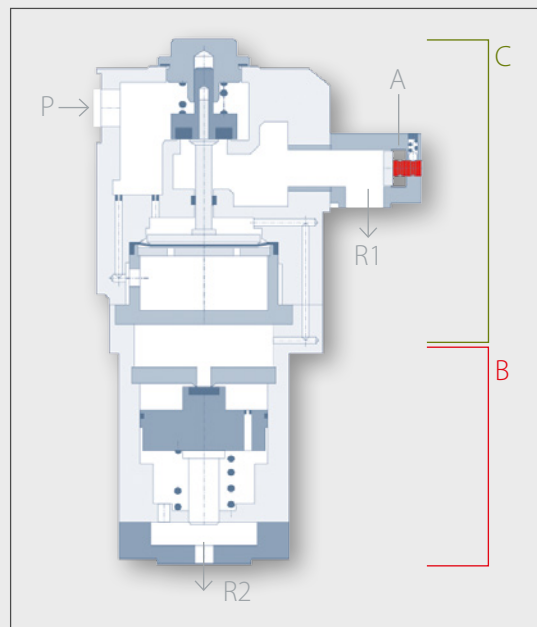


- 1 Derailment detector and bracket with integrated stopcock
- 2 Buffer beam
- 3 Brake pipe
- 4 Distributor valve
- 5 Connecting pipe

TECHNICAL DATA

- Secure triggering vertical acceleration > 11.5 g (0 - 100 Hz)
- Secure non-trigger vertical acceleration < 6.5 g (0 - 100 Hz)
- Medium Treated air (DIN/ISO 8573-1)
- Service pressure 5.0 bar
- Maximum pressure 8.0 bar
- Connecting pipe min. Ø 19 mm
- Venting pipe min. Ø 19 mm
- Operational temperature -40 °C up to +70 °C

SCHEME



- A Indicator device
- B Spring-mass valve
- C Emergency brake valve
- P Compressed air connection, main air pipe
- R1 Air outlet, main air pipe
- R2 Air outlet, control air

Knorr-Bremse Systeme für Schienenfahrzeuge GmbH

Moosacher Straße 80
80809 Munich

Germany

Tel: +49 89 3547-0

Fax: +49 89 3547-2767

WWW.KNORR-BREMSE.COM



Knorr-Bremse Group