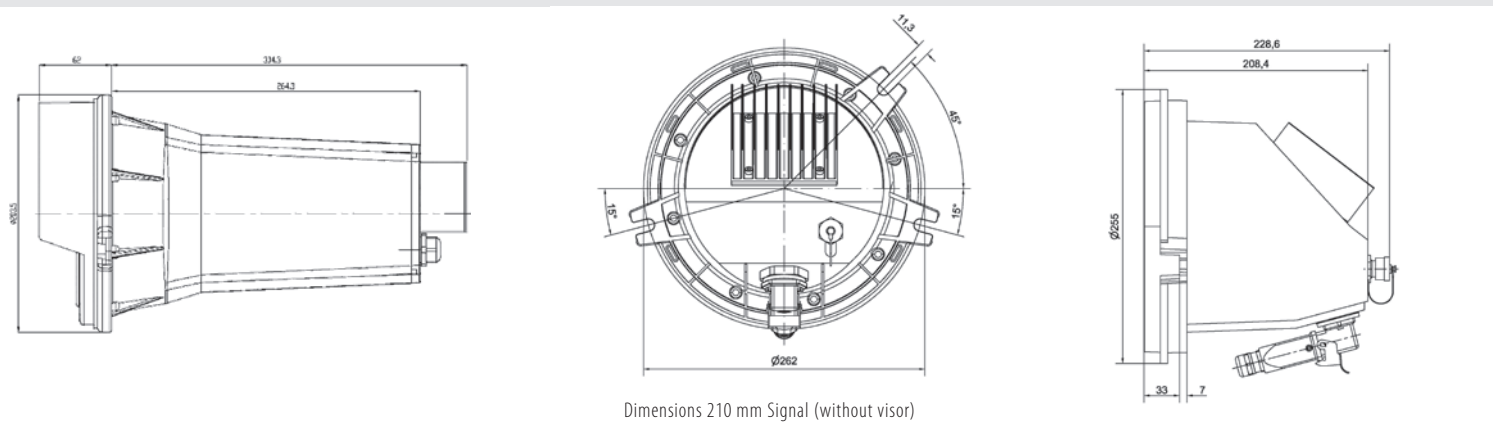


RAIL SIGNALLING SYSTEMS
LED SIGNAL EU

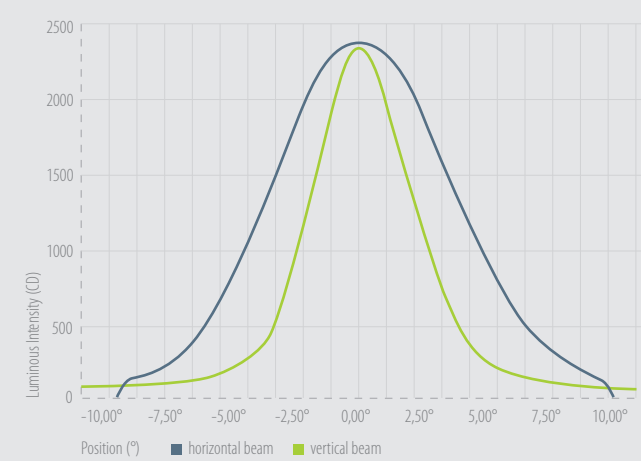


TECHNICAL DATA

LUMINOUS INTENSITY			RED / AMBER / GREEN / WHITE		BLUE		PURPLE	
			min.	max.	min.	max.	min.	max.
Luminous intensity 210 mm Signal	typ. [cd]	day	1000	3000	1000	3000		
		night	500	1500	500	1500		
Luminous intensity 160 mm Signal	typ. [cd]	day	1000	3000	1000	3000	700	2100
		night	500	1500	500	1500	400	1600
Luminous intensity 100 mm Signal	typ. [cd]	day	700	2100	400	1200		
		night	250	750	150	350		

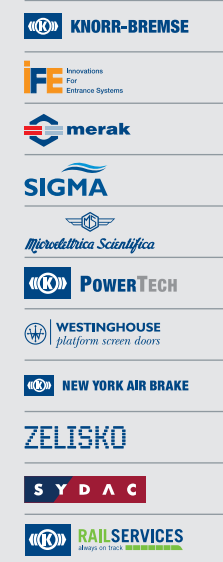
ELECTRICAL PARAMETERS FOR 12VAC/20W STANDARD VERSION		VALUE			UNIT
		min.	typ.	max.	
Voltage daytime operation	U_{tag}	10,8	12	14,4	$V_{AC,rms}$
Current daytime operation	I_{tag}	1,4		2,4	$A_{AC,rms}$
El. power daytime operation	P_{tag}		20		W_{eff}
Voltage nighttime operation	U_{Nacht}	7,2	8	9,0	$V_{AC,rms}$
Current nighttime operation	I_{Nacht}	1,28		2,1	$A_{AC,rms}$
Frequency	f	47	50	53	Hz
Switch-off current	I_{ab}			200	$mA_{AC,rms}$
Switch-on	U_{ein}	-	-	7,2	$V_{AC,rms}$
Switch-on delay	t_{ein}	-	-	150	ms
Undervoltage switch-off	U_{aus}	5,5		6,9	$V_{AC,rms}$
Flashing frequency (50/50)	f_{blink}	-	1	1,5	Hz

LIGHT DISTRIBUTION



Dr. techn. Josef Zelisko,
Fabrik für Elektrotechnik und Maschinenbau
Gesellschaft m.b.H.

Beethovengasse 43-45
2340 Mödling
Austria
Phone: +43 2236 409-2229
Fax: +43 2236 409-2279
WWW.ZELISKO.AT
WWW.KNORR-BREMSE.COM



This publication may be subject to alteration without prior notice. A printed copy of this document may not be the latest revision. Please contact your local Knorr-Bremse representative or check our website www.knorr-bremse.com for the latest update. The figurative mark „K” and the trademarks KNORR and KNORR-BREMSE are registered in the name of Knorr-Bremse AG. Copyright 2013 © Knorr-Bremse AG. All rights reserved. Including industrial property rights applications. Knorr-Bremse AG retains any power of disposal, such as for copying and transferring.



LED Signal EU



APPLICATIONS
Trackside signalling



